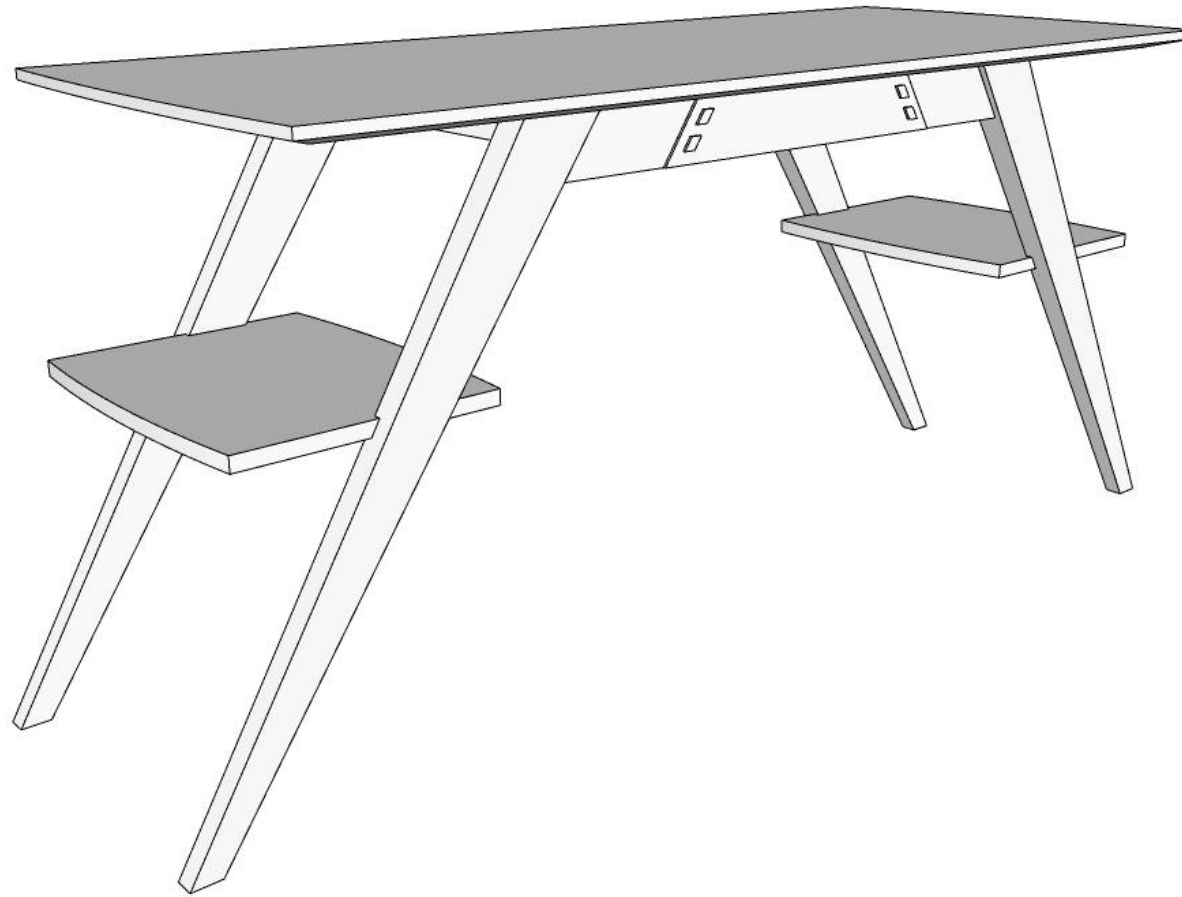


Nicole's Desk



Design: Marc Spagnuolo
Plans: Marc Spagnuolo & Brian Benham
Copyright © 2020, The Wood Whisperer, Inc. TheWoodWhisperer.com
Version 1



TWW[®]

Cut List

Part ID	Part Description	Material	QTY	Width	Length	Thickness
A	Top	5/4 Hardwood Sp2	1	610mm	1524mm	25mm
B	Leg	8/4 Hardwood SP1	4	85mm	914mm	38mm
C	Back Apron	4/4 Hardwood SP1	1	76mm	774mm	19mm
D	Front Apron	4/4 Hardwood SP1	2	76mm	203mm	19mm
E	Side Apron	4/4 Hardwood SP1	2	104mm	425mm	19mm
F	Shelf	4/4 Hardwood SP2	2	425mm	356mm	19mm
G	Drawer Front	4/4 Hardwood SP2	1	76mm	469mm	19mm
H	Drawer Side	4/4 Hardwood SP1	2	104mm	448mm	19mm
I	Drawer Back	4/4 Hardwood SP1	1	76mm	417mm	19mm
J	Drawer Bottom	4/4 Hardwood SP1	1	403mm	419mm	6mm

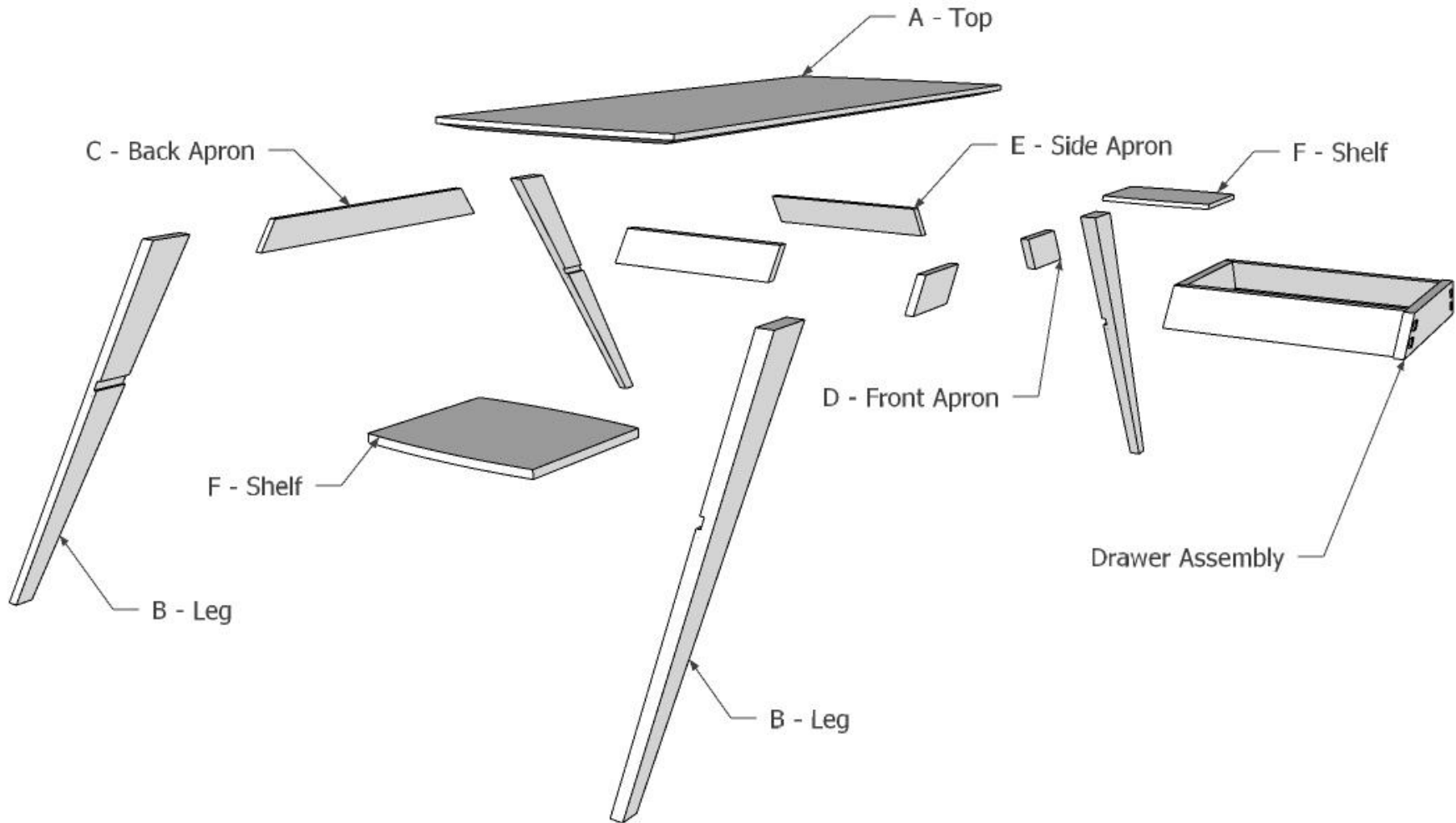
IMPORTANT! These plans were converted from imperial measurements, and rounded to the nearest mm. It is recommended you use relative dimensioning to ensure a good fit.

Materials List

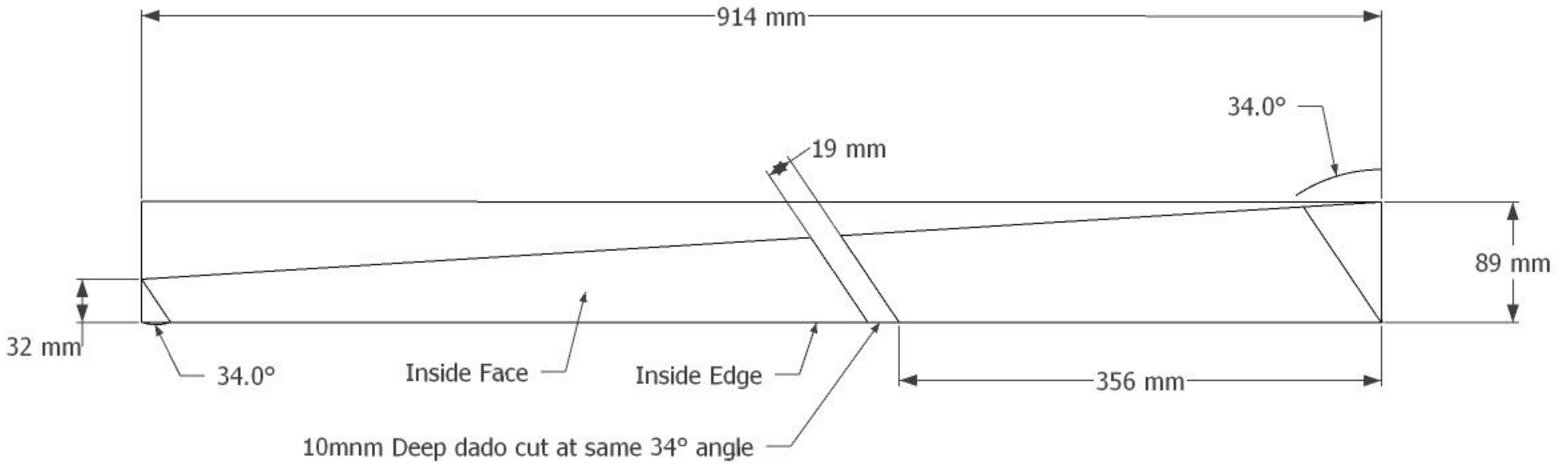
Description	Type	Approximate BF	+20%
4/4 Hardwood	Species 1	6	8
8/4 Hardwood	Species 1	7	9
4/4 Hardwood	Species 2	4	5
5/4 Hardwood	Species 2	13	16

*Note Board Feet quantities have been rounded up to the nearest board foot

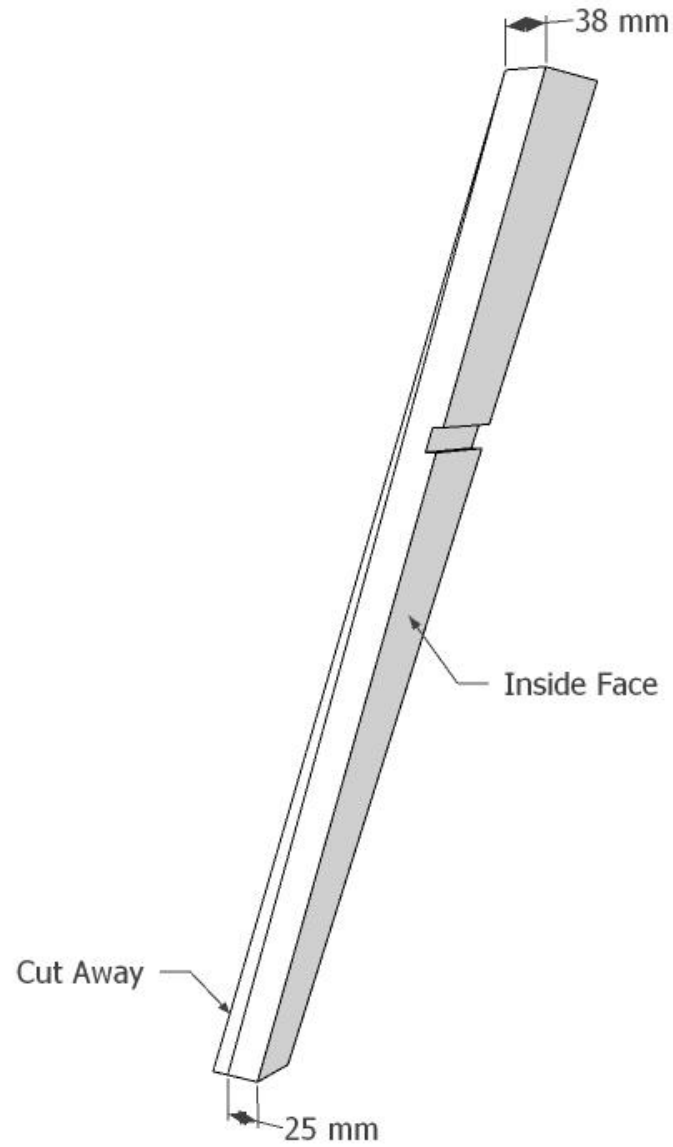
Exploded View



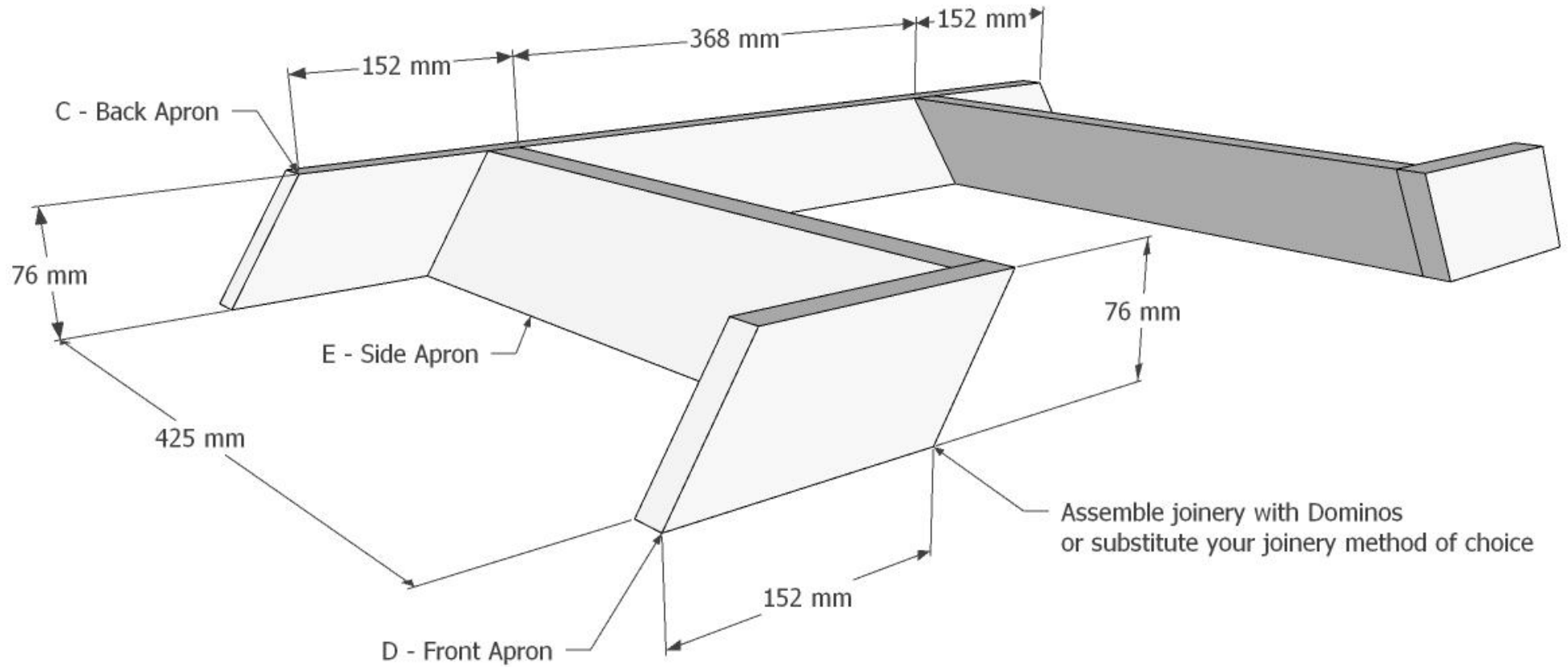
Leg Detail



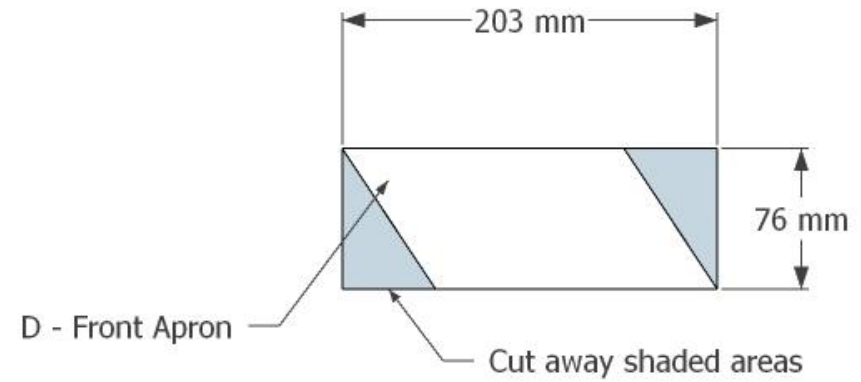
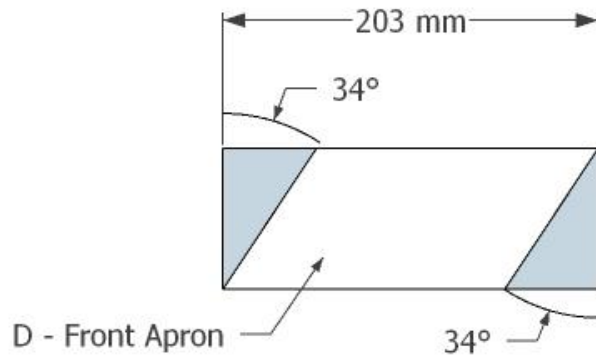
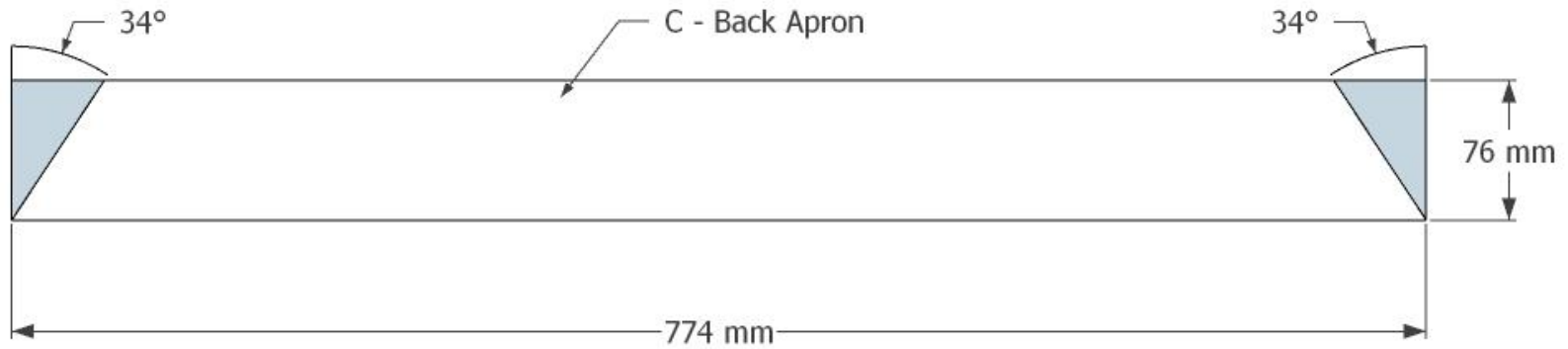
Leg Taper Detail



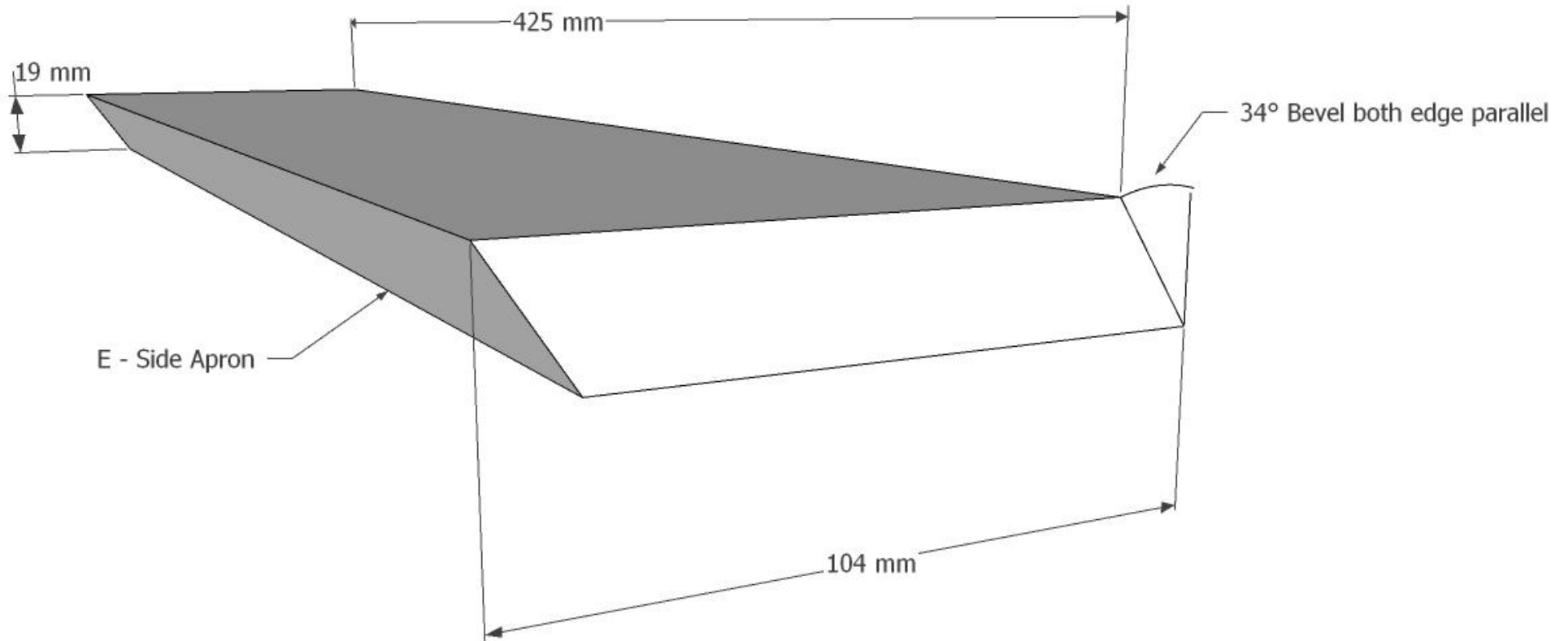
Apron Assembly



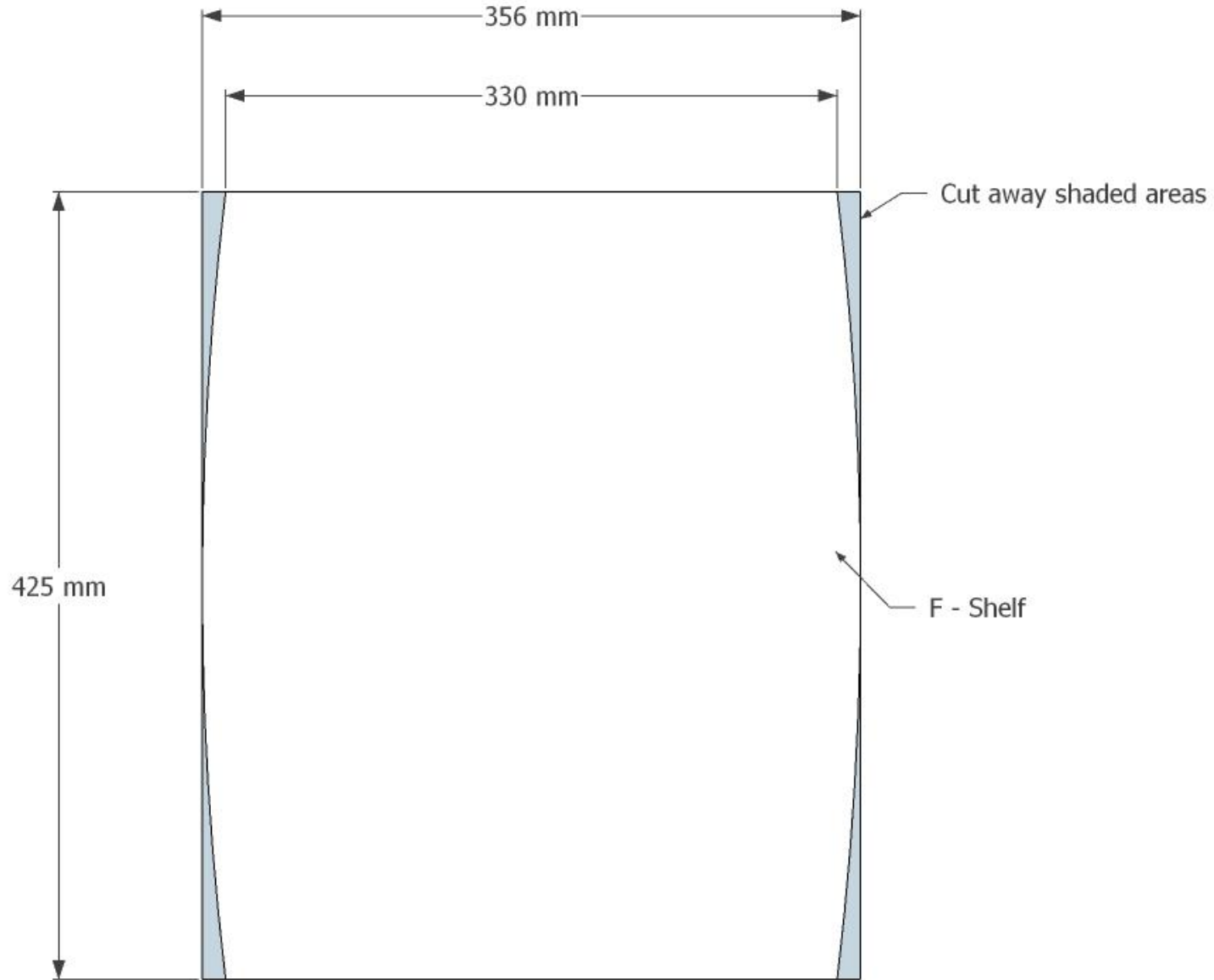
Front and Back Apron Detail



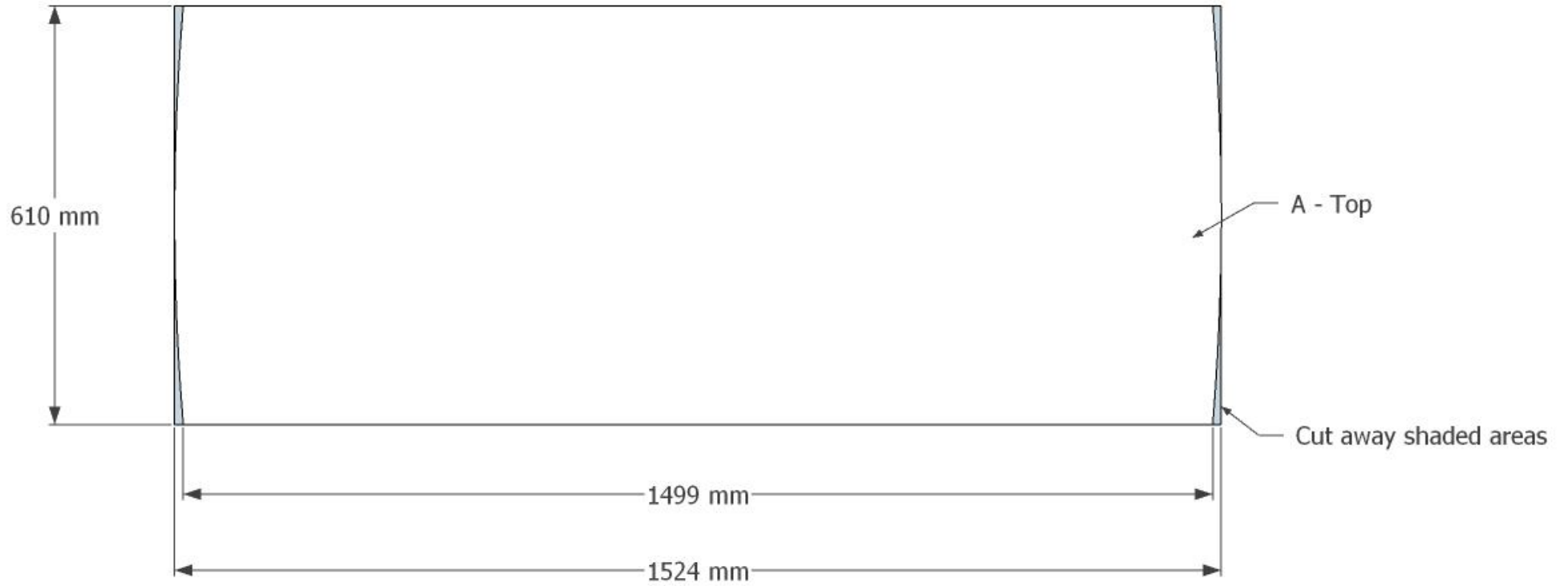
Side Apron Detail



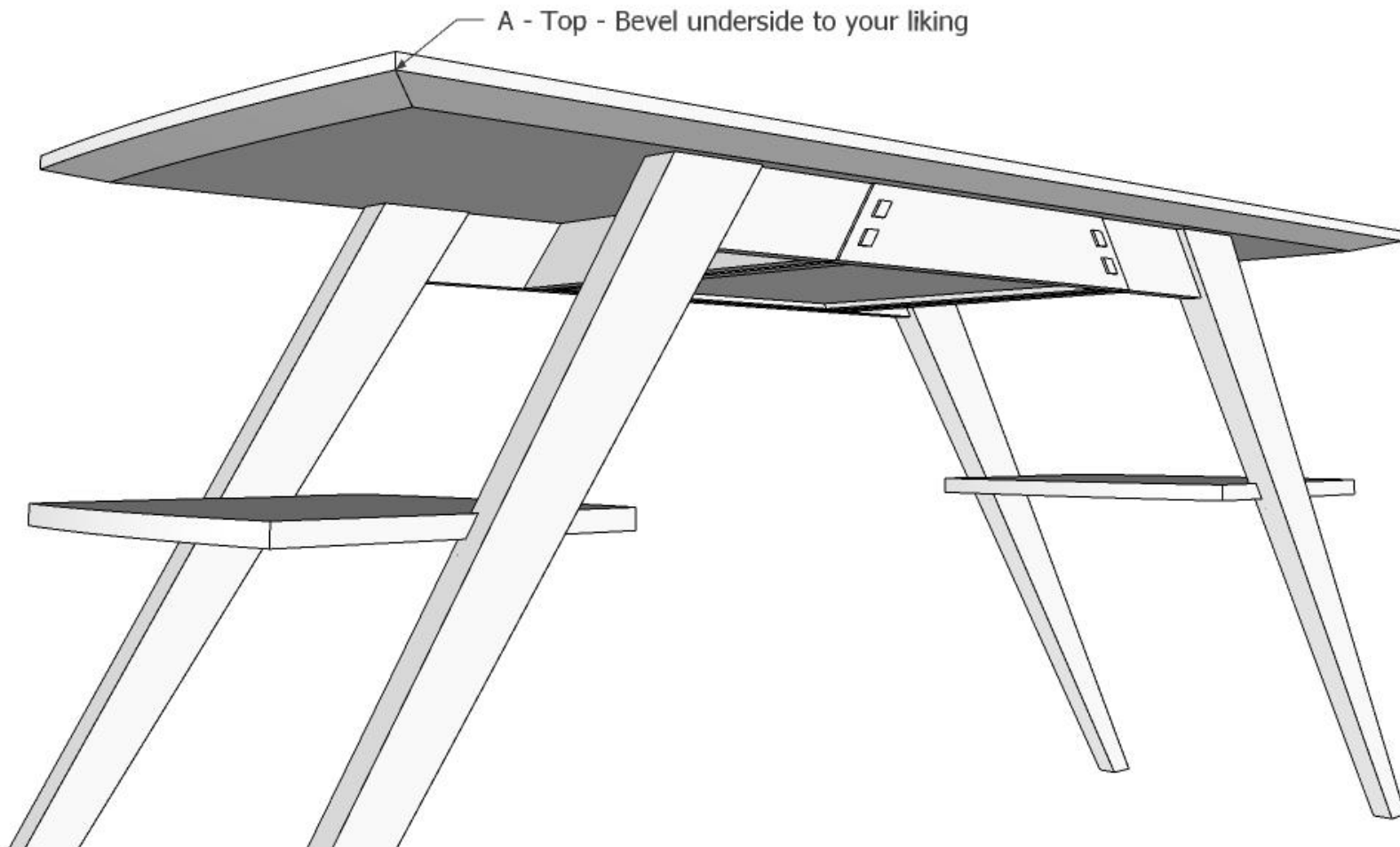
Shelf Detail



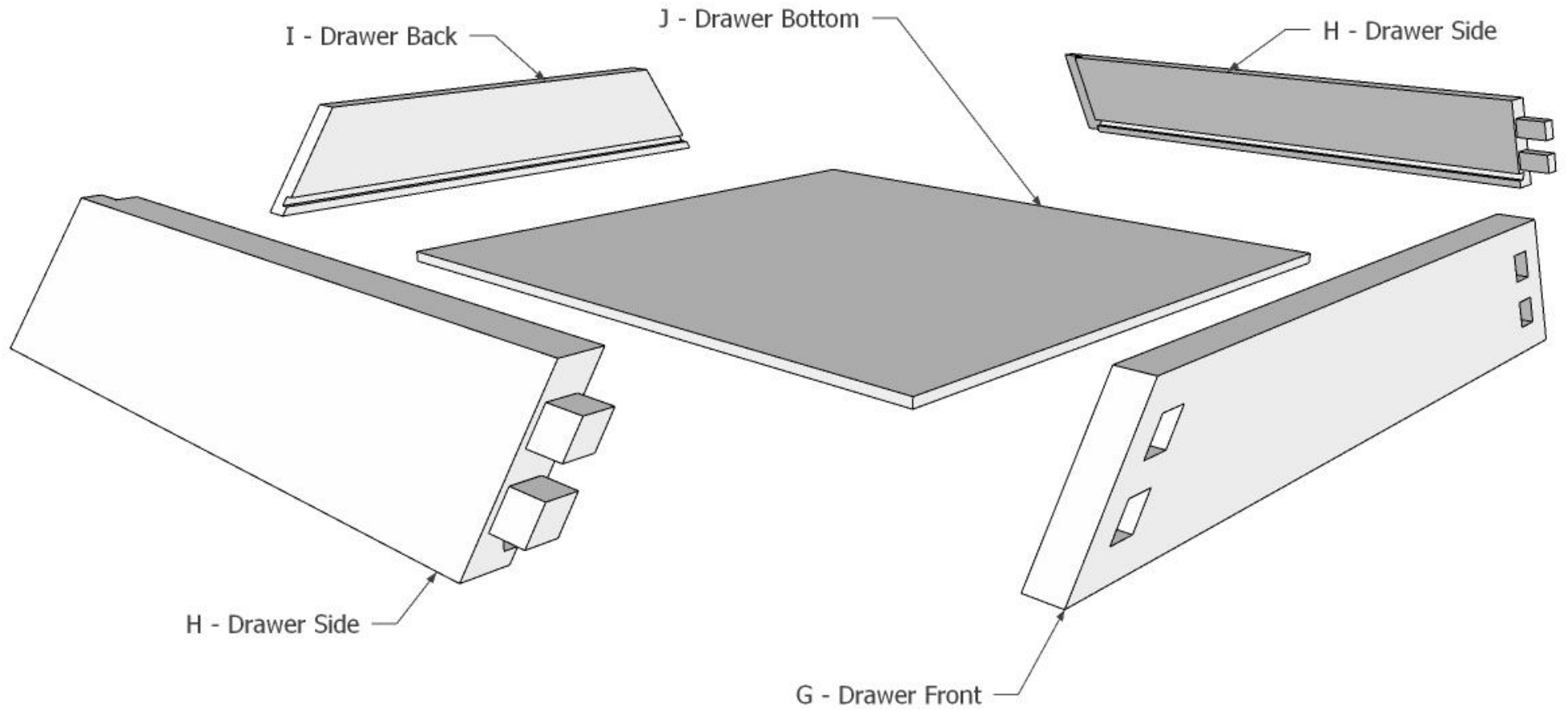
Top Detail



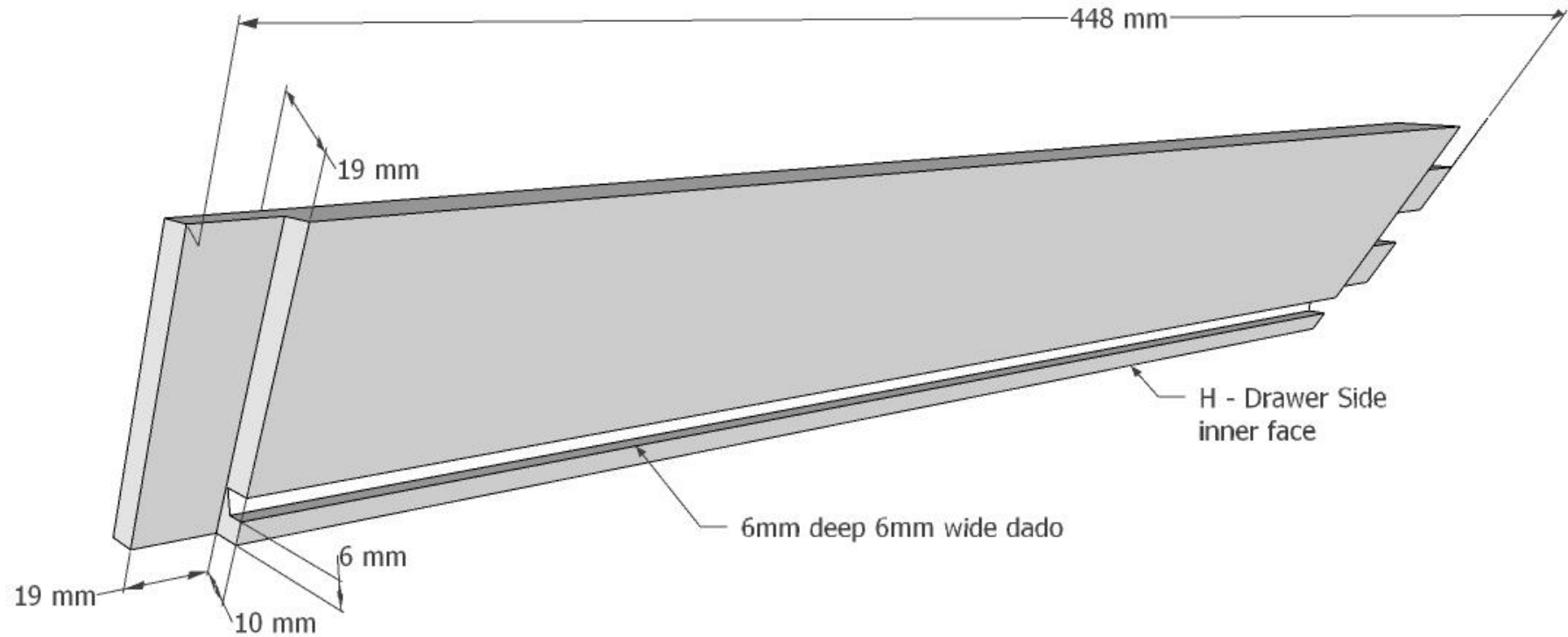
Top Bevel Detail



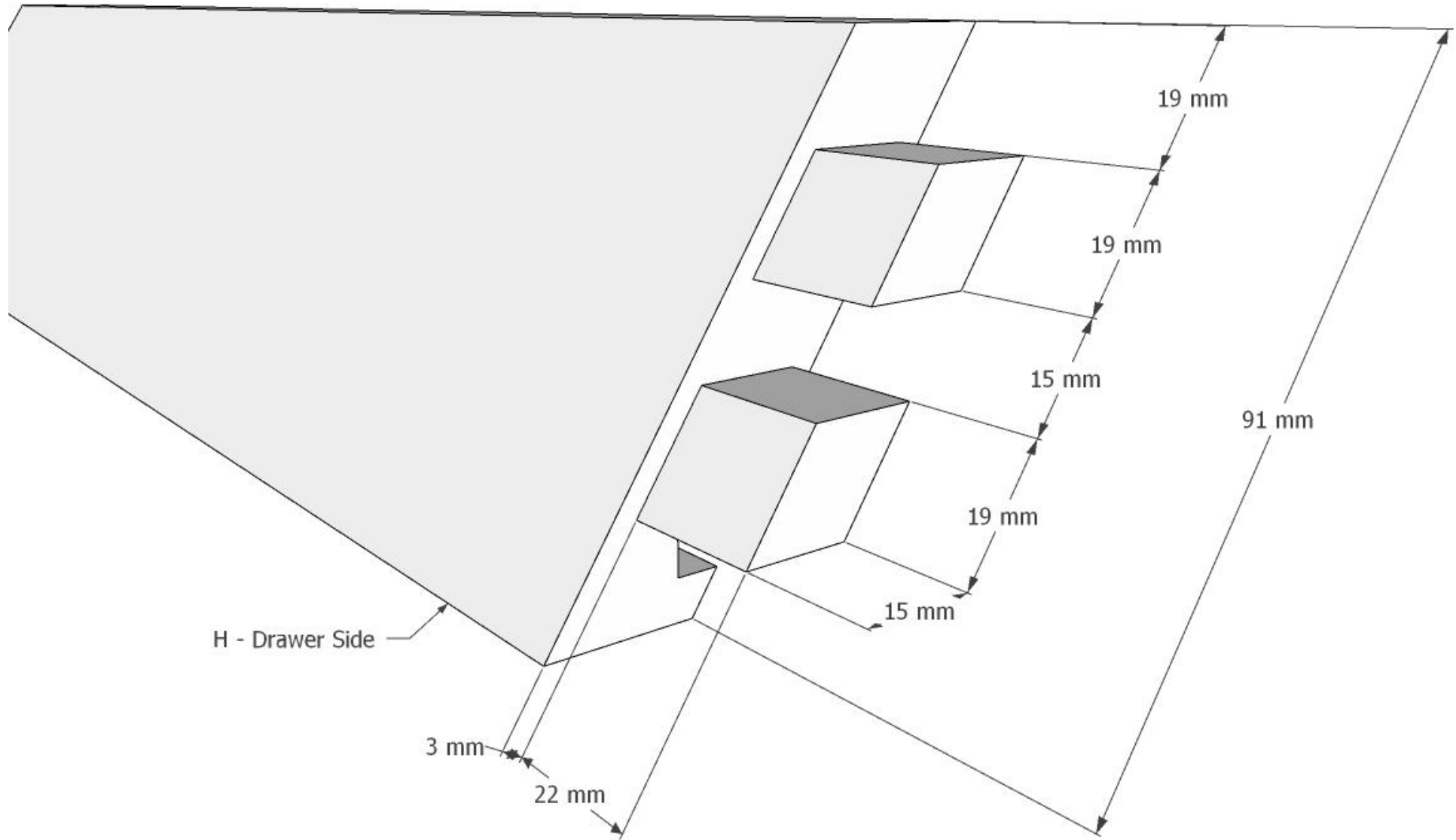
Drawer Assembly



Drawer Side Detail



Drawer Side Tenon



Drawer Front Detail

